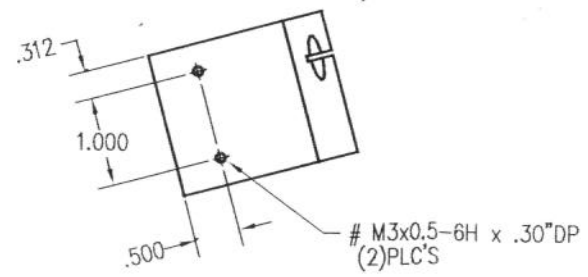
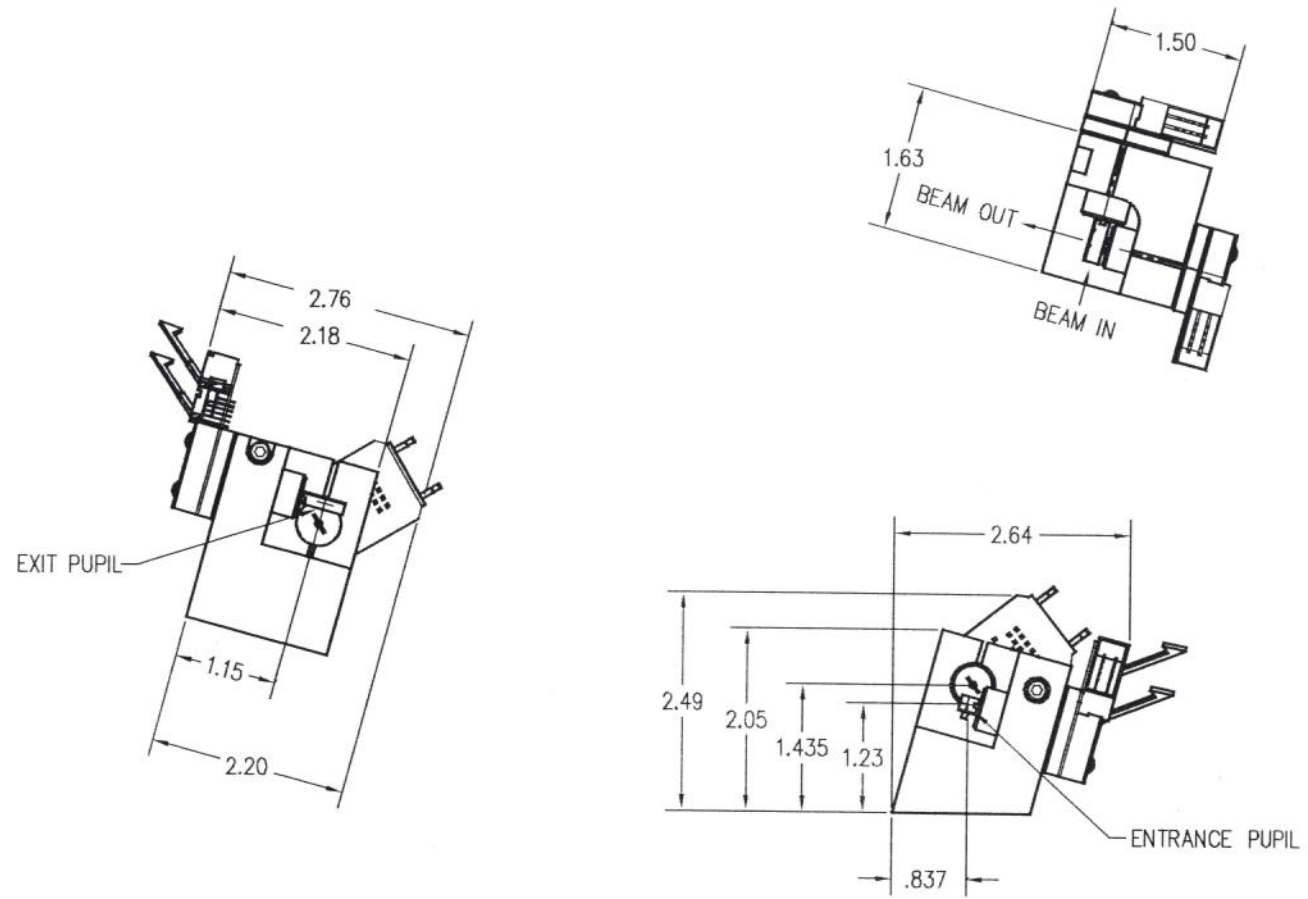


These drawings and specifications are the property of CAMBRIDGE TECHNOLOGY and shall not be reproduced, copied, or used as the basis for the manufacture, or sale of apparatus without the written permission of CAMBRIDGE TECHNOLOGY, INC.

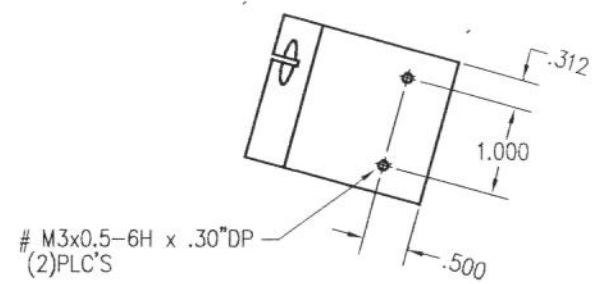
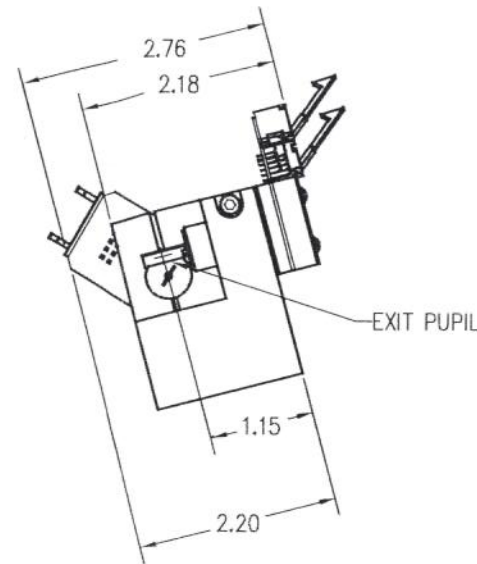
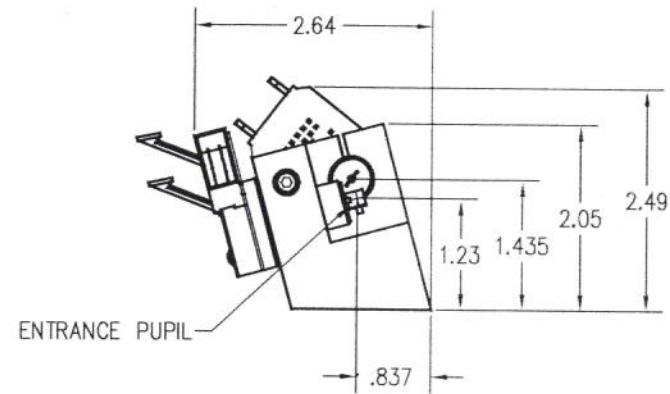
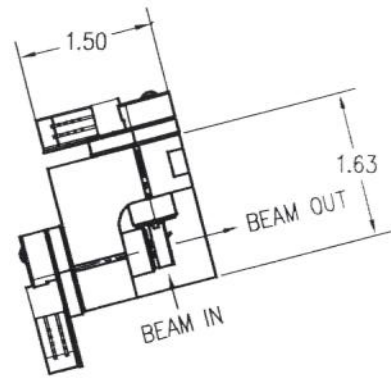
REVISION				CHK	DATE
ECO	REV	DESCRIPTION			
739	B	M3x0.5-6H THD'S WERE #8-32'S		PTH	8/95



UNLESS OTHERWISE SPECIFIED	DRN 8/15/93	PTH	CAMBRIDGE TECHNOLOGY, INC.
TOLERANCES	DES		23 ELW ST
.XX = ±0.010	CHK		WATERTOWN, MA, 02172 - USA
.XXX = ±0.005	ENG		6800 XY-INTERFACE
() INDICATES mm	APPR		3mm x ±15° MECH
ANGLES ± 0°-30°	PROJECTION		
MATERIAL			
FINISH	REVISION		D0006-2134
USED ON	B		SCALE — SHEET 1 OF 1

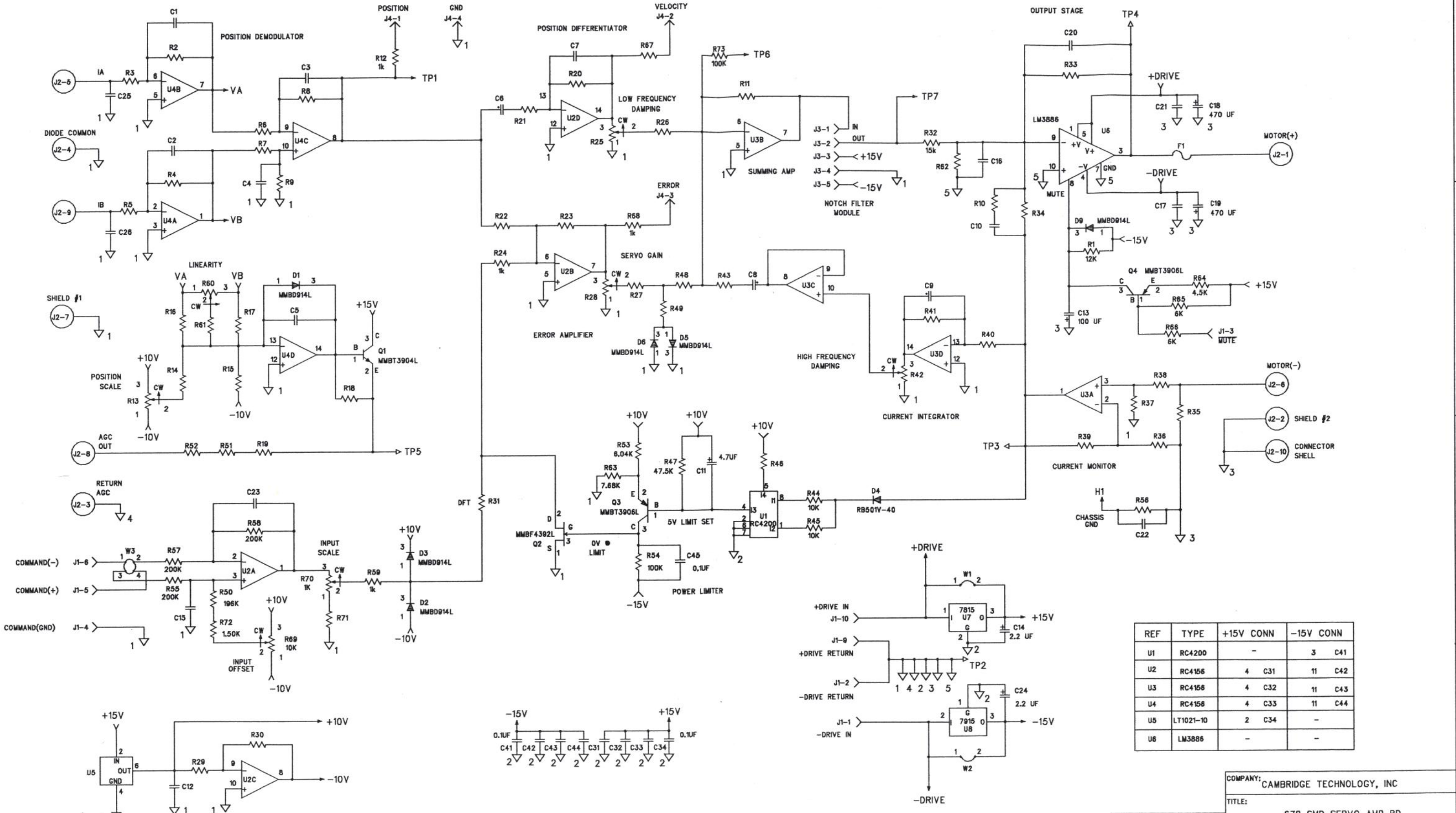
These drawings and specifications are the property of CAMBRIDGE TECHNOLOGY and shall not be reproduced, copied, or used as the basis for the manufacture, or sale of apparatus without the written permission of CAMBRIDGE TECHNOLOGY, INC.

REVISION				
EDD	REV	DESCRIPTION	CHK	DATE



UNLESS OTHERWISE SPECIFIED	DRN 12/24/96	PTH	CAMBRIDGE TECHNOLOGY, INC.
TOLERANCES	DES		23 ELM ST
.XX = ±0.010	CHK		WATERTOWN, MA. 02172 - USA
.XXX = ±0.005	ENG		6800HP
() INDICATES mm	APPR		XY MNT INTERFACE L.H.
ANGLES ± 0°-30'	PROJECTION	①	3mm x ±15° MECH
MATERIAL	FINISH	REVISION	D02989
		A	SCALE — SHEET 1 OF 1
USED ON			

REVISION RECORD		
LTR	ECD NO:	APPROVED DATE:



REF	TYPE	+15V CONN	-15V CONN
U1	RC4200	-	3 C41
U2	RC4156	4 C31	11 C42
U3	RC4156	4 C32	11 C43
U4	RC4156	4 C33	11 C44
U5	LT1021-10	2 C34	-
U6	LM3886	-	-

COMPANY: CAMBRIDGE TECHNOLOGY, INC
 TITLE: 678 SMD SERVO AMP BD
 DRAWN: PN BAKALOS DATED: 5/5/87
 CHECKED: DATED: CODE: SIZE: DRAWING NO: REV:
 QUALITY CONTROL: DATED: D03277 B
 RELEASED: DATED: SCALE: SHEET: 1 OF 1