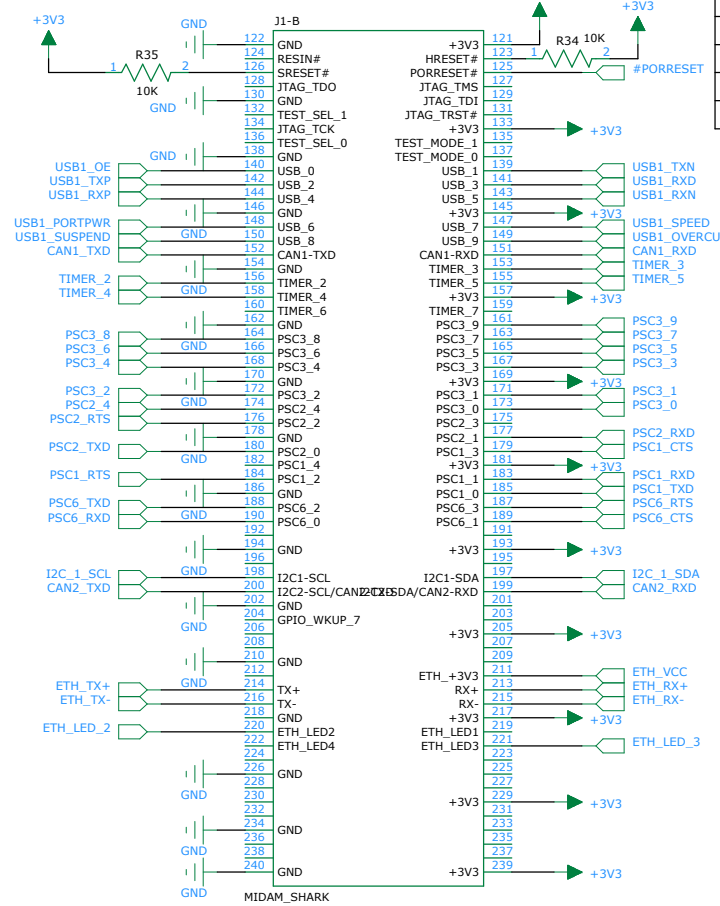
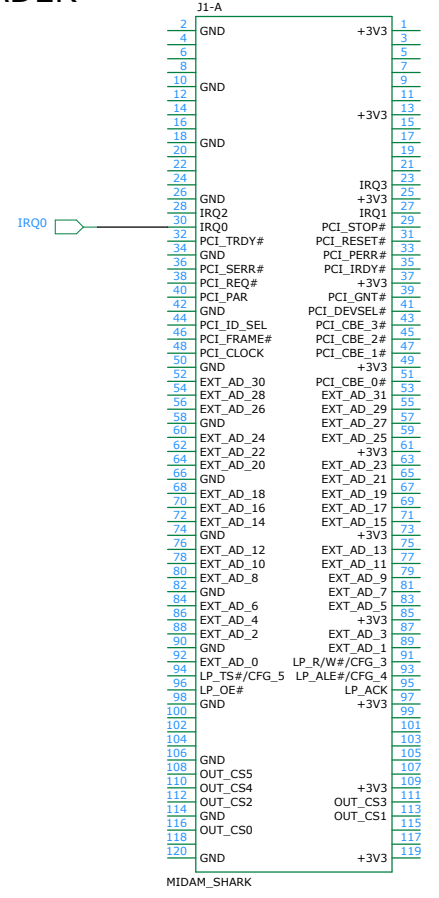




MIDAM HEADER



REVISION RECORD			
LTR	ECO NO:	APPROVED:	DATE:

D

D

C

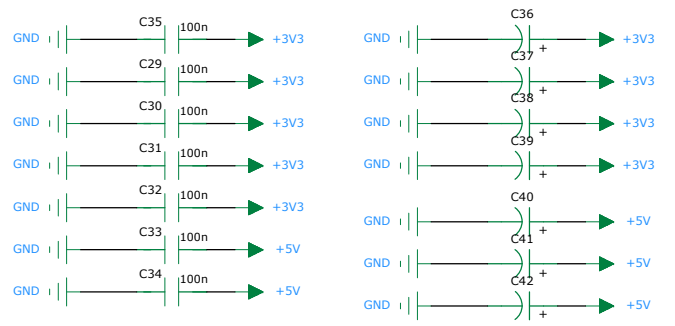
C

B

B

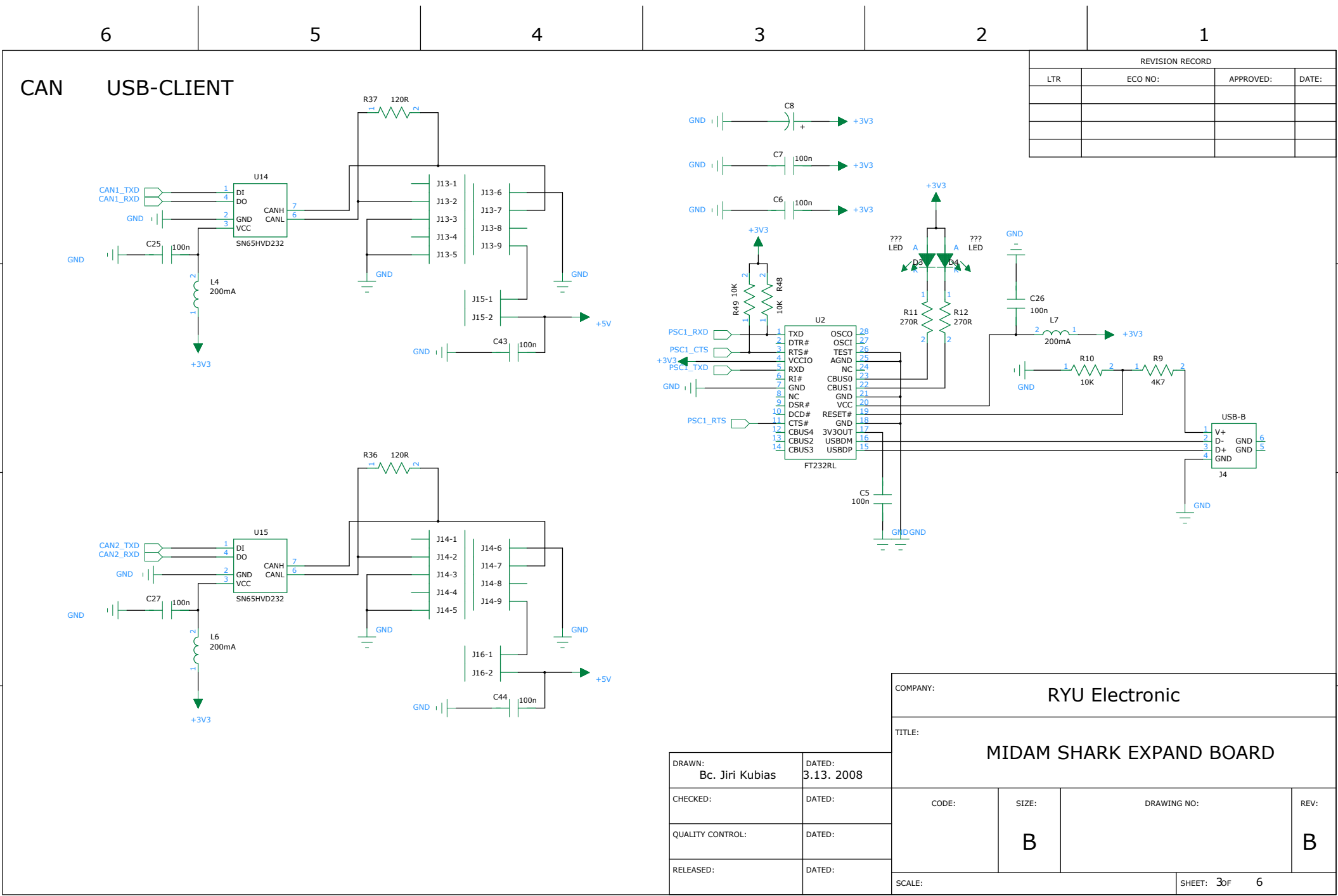
A

A



DRAWN: Bc. Jiri Kubias	DATED: 3.13. 2008
CHECKED:	DATED:
QUALITY CONTROL:	DATED:
RELEASED:	DATED:

COMPANY: RYU Electronic			
TITLE: MIDAM SHARK EXPAND BOARD			
CODE:	SIZE: B	DRAWING NO:	REV: B
SCALE:		SHEET: 1of 6	



REVISION RECORD			
LTR	ECO NO:	APPROVED:	DATE:

COMPANY:		RYU Electronic		
TITLE:		MIDAM SHARK EXPAND BOARD		
DRAWN:	DATED:	CODE:	SIZE:	DRAWING NO:
Bc. Jiri Kubias	3.13. 2008		B	
CHECKED:	DATED:			REV:
				B
QUALITY CONTROL:	DATED:			
RELEASED:	DATED:			
SCALE:				SHEET: 3 of 6

6

5

4

3

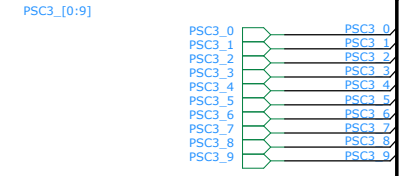
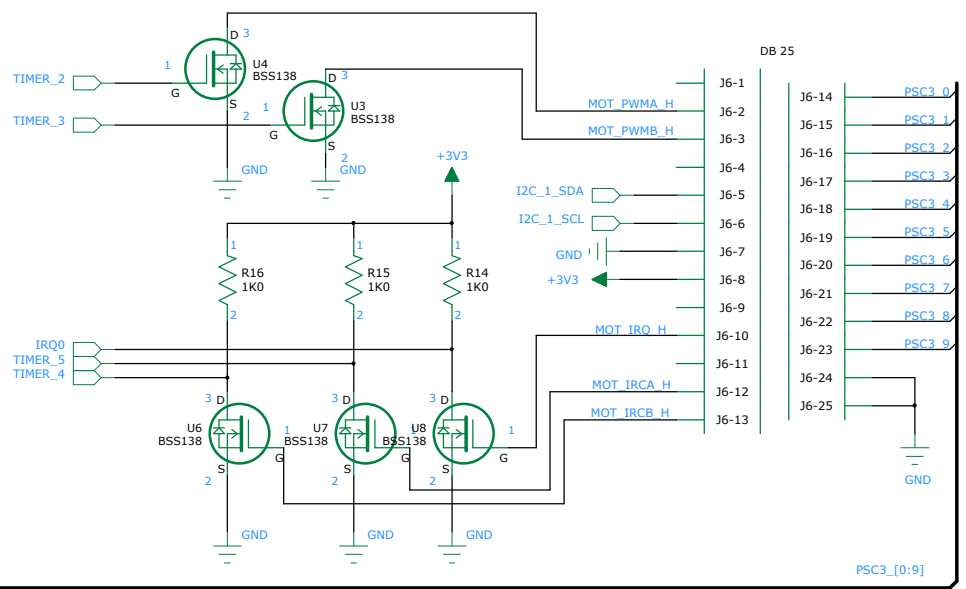
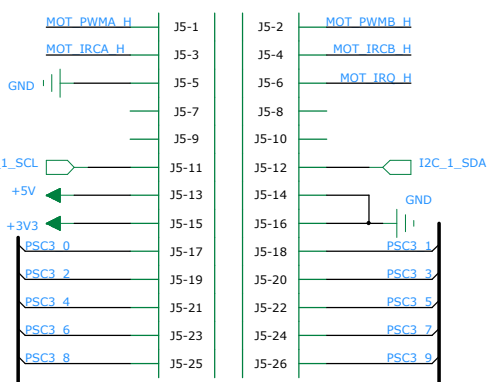
2

1

EXPAND HEADER

REVISION RECORD			
LTR	ECO NO:	APPROVED:	DATE:

Header 26



D

D

C

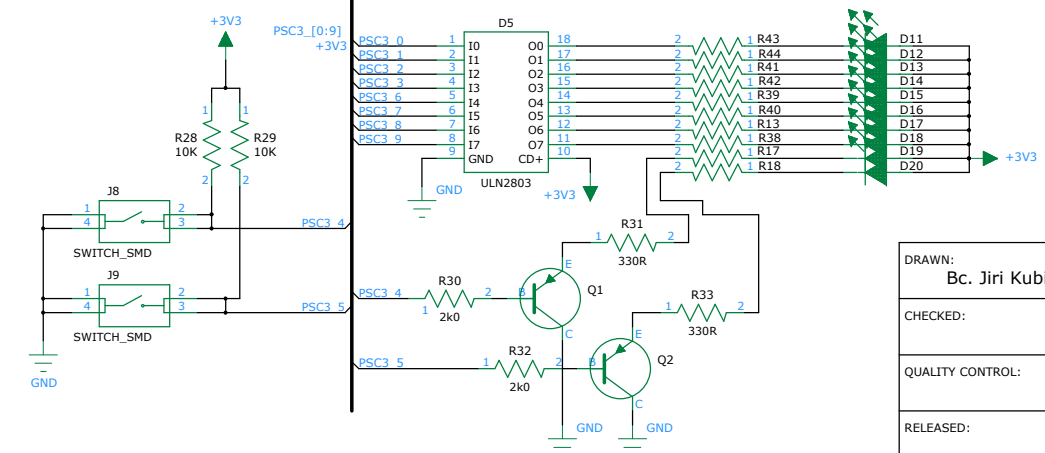
C

B

B

A

A



COMPANY:		RYU Electronic		
TITLE:				
MIDAM SHARK EXPAND BOARD				
DRAWN:	Bc. Jiri Kubias	DATED:	3.13. 2008	
CHECKED:		DATED:		
QUALITY CONTROL:		DATED:		
RELEASED:		DATED:		
SCALE:		SHEET:	4 of 6	6

6

5

4

3

2

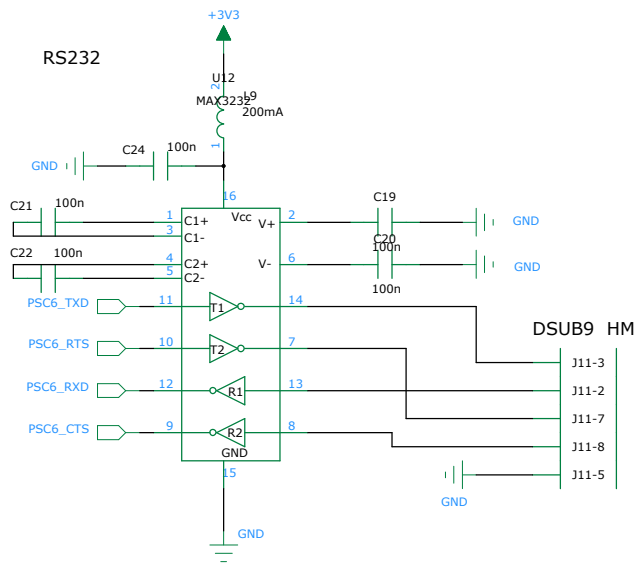
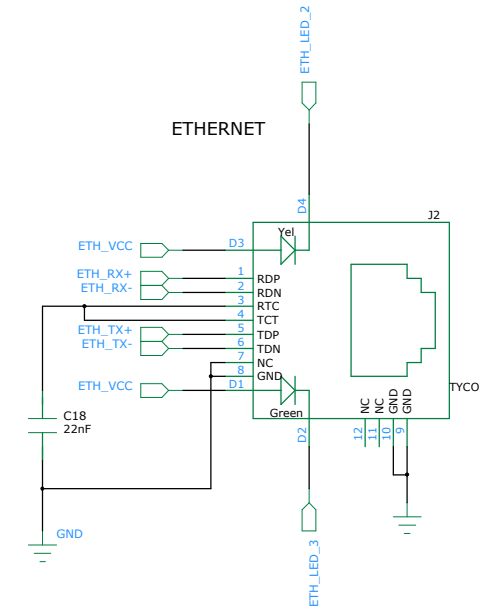
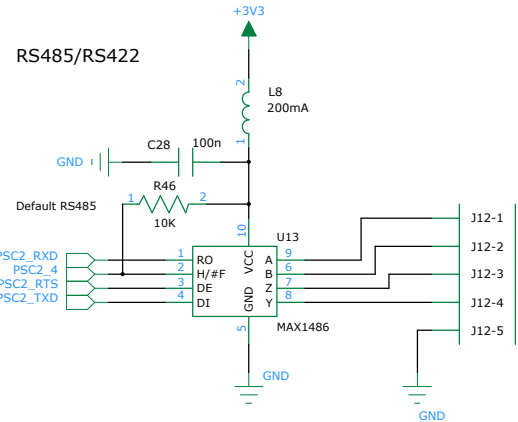
1

RS232

RS485/422

ETHERNET

REVISION RECORD			
LTR	ECO NO:	APPROVED:	DATE:



COMPANY:				RYU Electronic					
TITLE:									
MIDAM SHARK EXPAND BOARD									
DRAWN:		DATED:		CODE:		SIZE:	DRAWING NO:		REV:
Bc. Jiri Kubias		3.13. 2008				B			B
CHECKED:		DATED:							
QUALITY CONTROL:		DATED:							
RELEASED:		DATED:							
SCALE:								SHEET: 5 of 6	

D

D

C

C

B

B

A

A

