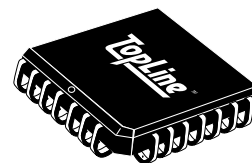




PLCC PLASTIC LEADED CHIP CARRIER



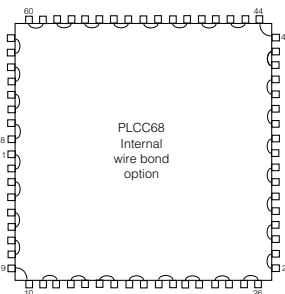
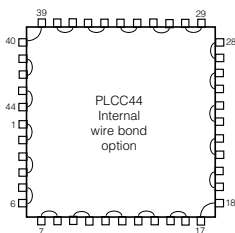
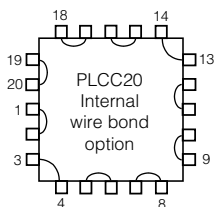
J-LEAD 50MIL PITCH



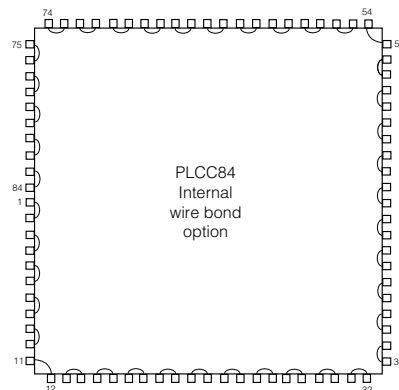
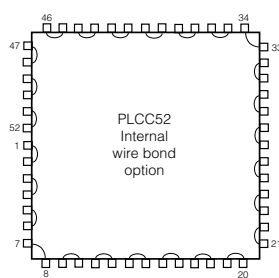
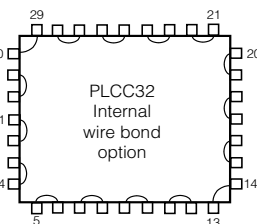
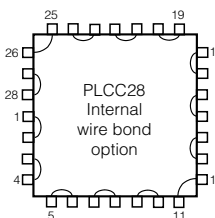
DUMMY COMPONENT ORDERING INFORMATION

NBR LEADS	BODY SIZE INCHES	TAPE INFO		Tube Part Number		7" (180mm) Tape & Reel Part Number		13" (330mm) Tape & Reel Part Number	
		WIDTH	PITCH	XP1	QTY	XM1	QTY	XP1	QTY
*18	.29" x .43"	24mm	12mm	PLCC18SM	36	-	-	-	-
18	.29" x .49"	24mm	12mm	PLCC18M	36	PLCC18E7A	100	PLCC18E13A	1000
20	.35" sq.	16mm	12mm	PLCC20M	46-50	PLCC20E7A	100	PLCC20E13A	1000
28	.45" sq.	24mm	16mm	PLCC28M	37-40	PLCC28E7A	100	PLCC28E13A	500-900
32	.45" X .55"	24mm	16mm	PLCC32M	30-34	PLCC32E7A	100	PLCC32E13A	500-750
44	.65" sq.	32mm	24mm	PLCC44M	25-28	PLCC44E7A	100	PLCC44E13A	500
52	.75" sq.	32mm	24mm	PLCC52M	24-25	PLCC52E7A	50	PLCC52E13A	500
68	.95" sq.	44mm	32mm	PLCC68M	17-20	PLCC68E7A	50	PLCC68E13A	250-500
84	1.15" sq.	44mm	36mm	PLCC84M	14-17	PLCC84E7A	50	PLCC84E13A	250

*PLCC18S short version is an obsolete design.



Daisy Chain
available on special order
Add -DE to end of part number



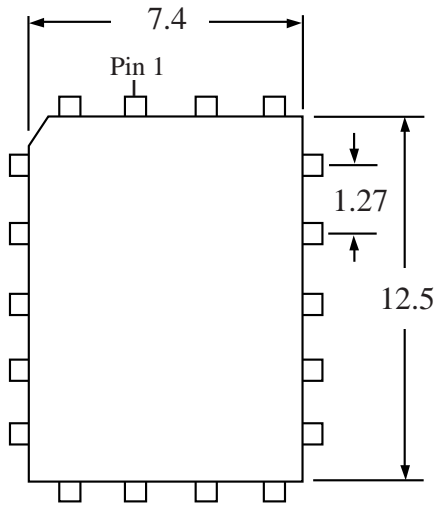
**I
N
F
O** TopLine supplies the full range of dummy PLCC integrated circuits in lead counts from 18 to 84. Lead pitch is 50 mils (1.27mm). Tube and reel quantities may vary. Add prefix SOCKET in front of part number for PLCC Sockets. For completely isolated (no internal connections) add - ISO to the end of part number.

Part # **PLCC18(L)**
 Leads **18** Pitch **1.27mm (50mils)**
 Body Size **7.4mm x 12.5mm**

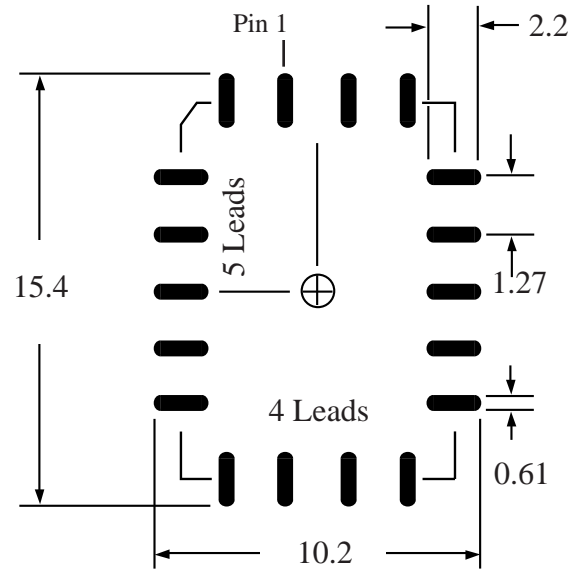
Dwg PLCC18.pdf

TopLineTM

Tel 1-714-898-3830
 info@topline.to

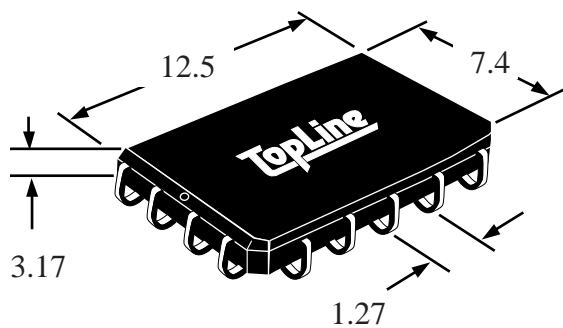


Top View

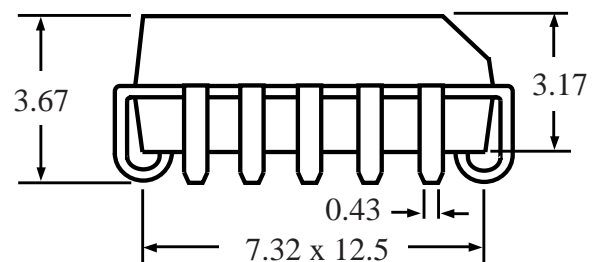


PC Board

Dimensions = mm



Quick View



Side View Detail

Part # **PLCC18S**

Leads **18** Pitch **1.27mm**

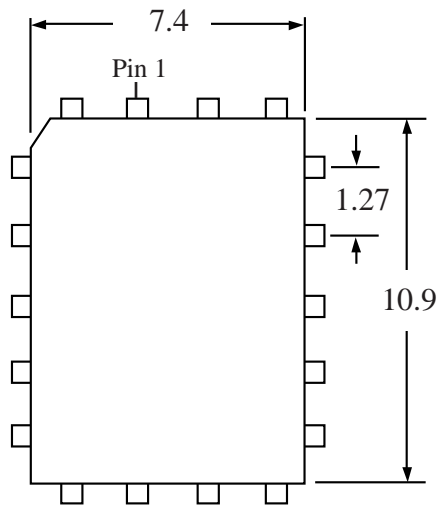
Body Size **7.4mm x 10.9mm (.29" x .43")**

Dwg **PLCC18S.pdf**

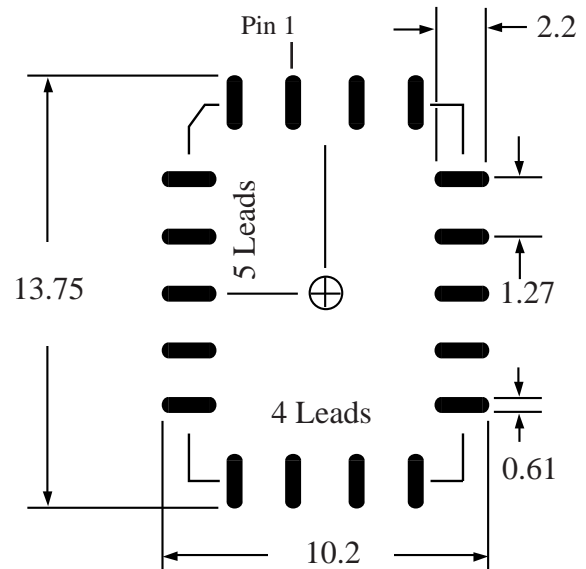
TopLineTM

Tel 1-714-898-3830

info@topline.to

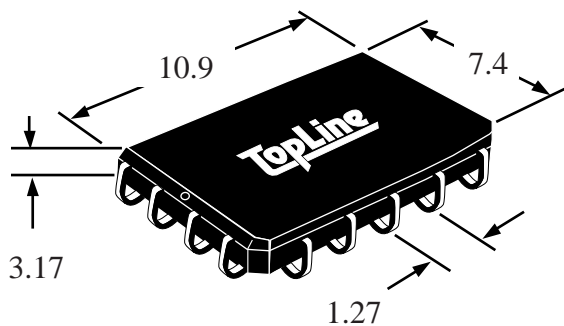


Top View

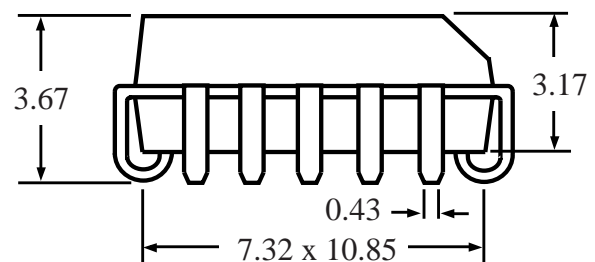


PC Board

Dimensions = mm



Quick View



Side View Detail

Part # **PLCC20**

Leads **20** Pitch **1.27mm (50mils)**

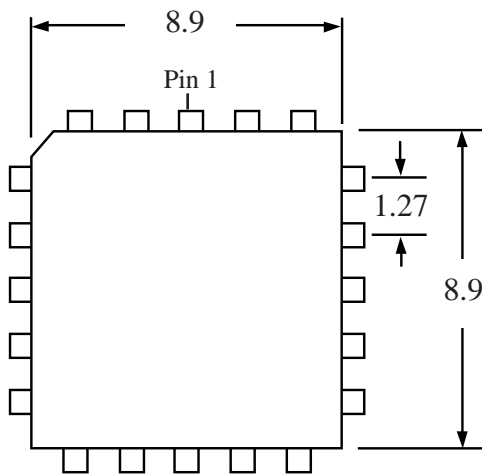
Body Size **8.9mm (.35" SQ)**

Dwg **PLCC20.pdf**

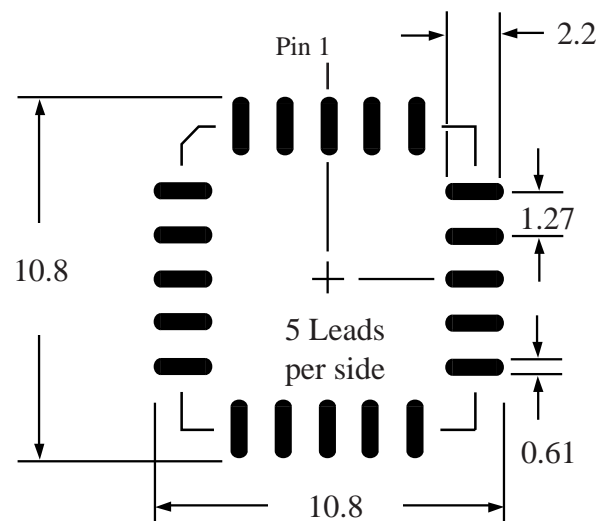
TopLineTM

Tel 1-714-898-3830

info@topline.to

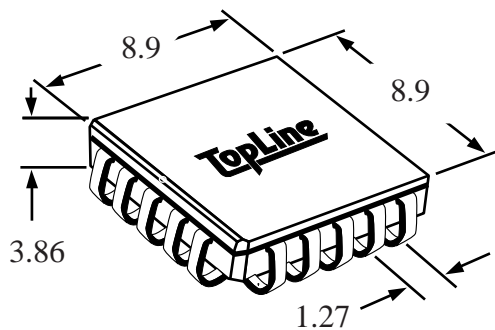


Top View

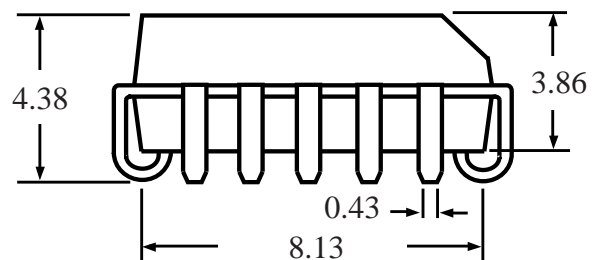


PC Board

Dimensions = mm



Quick View



Side View Detail

Part # **PLCC28**

Leads **28** Pitch **1.27mm (50mils)**

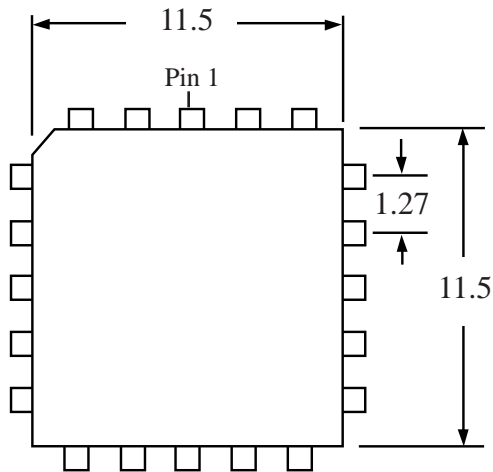
Body Size **11.5mm (.45" SQ)**

Dwg **PLCC28.pdf**

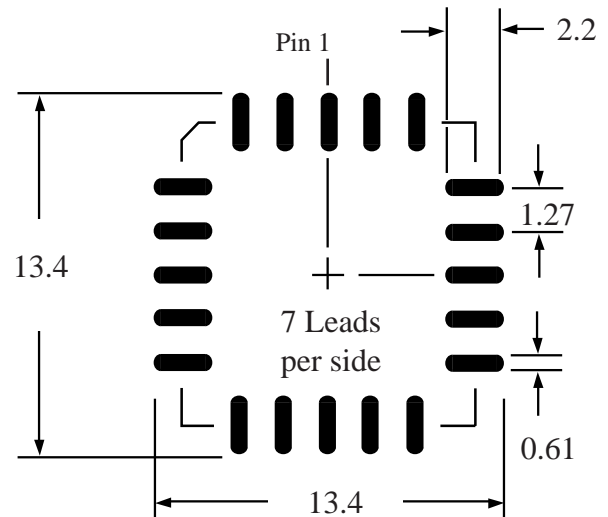
TopLineTM

Tel 1-714-898-3830

info@topline.to

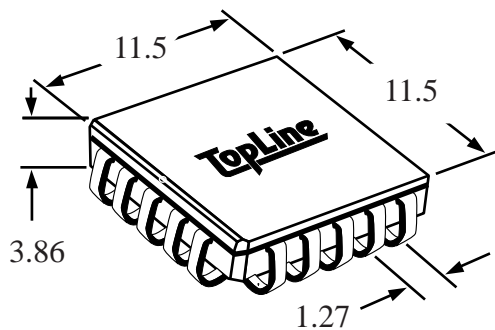


Top View

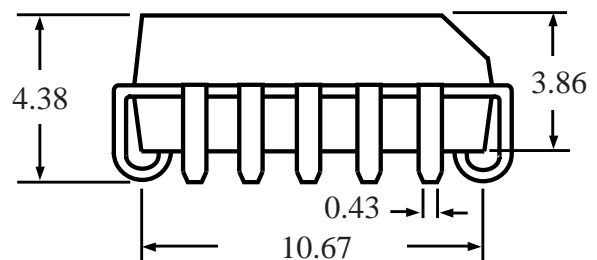


PC Board

Dimensions = mm



Quick View



Side View Detail

Part # **PLCC32**

Leads **32** Pitch **1.27mm (50mils)**

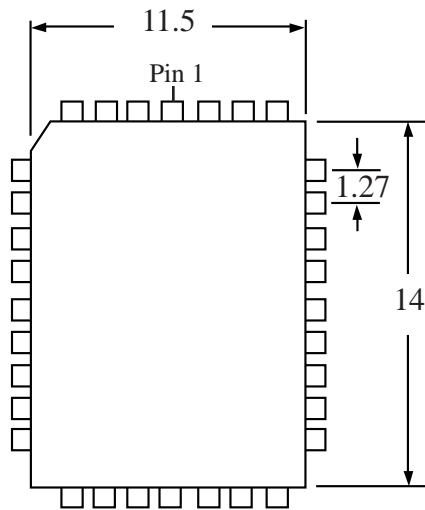
Body Size **11.5mm x 14mm (.45" x .55")**

Dwg PLCC32.pdf

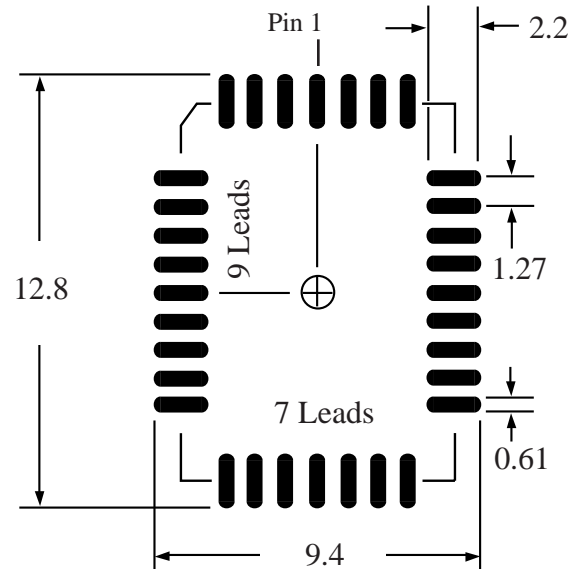
TopLineTM

Tel 1-714-898-3830

info@topline.to

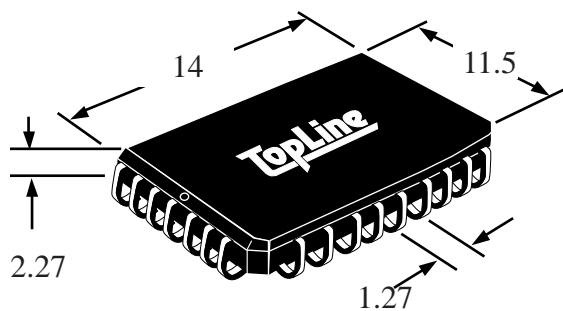


Top View

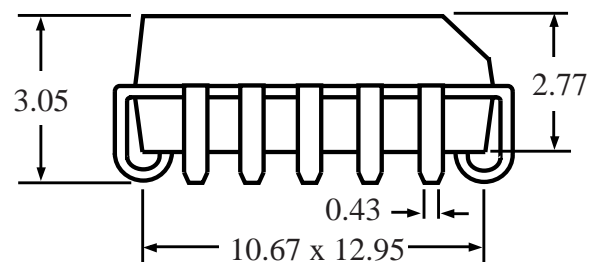


PC Board

Dimensions = mm



Quick View



Side View Detail

Part # **PLCC44**

Leads **44** Pitch **1.27mm (50mils)**

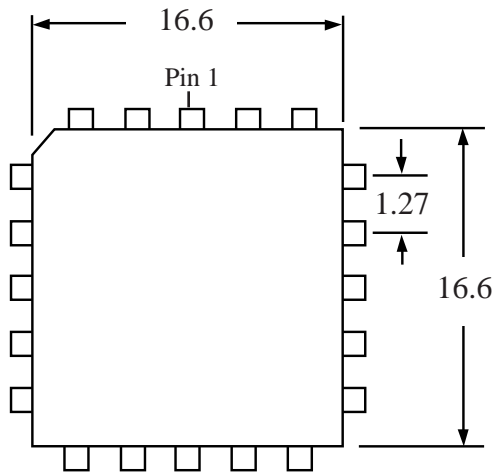
Body Size **16.6mm (.652" SQ)**

Dwg **PLCC44.pdf**

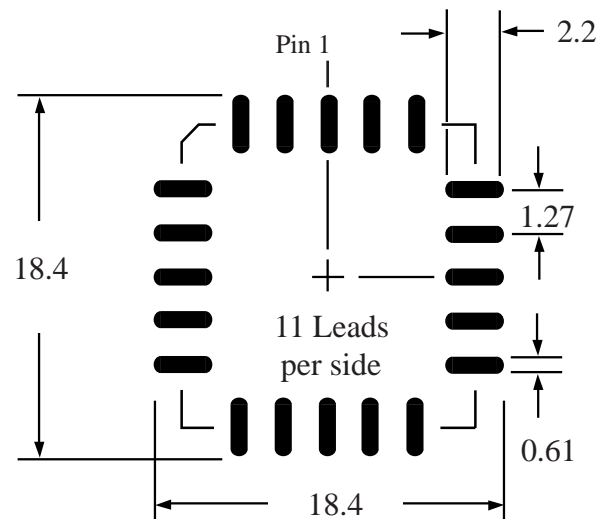
TopLineTM

Tel 1-714-898-3830

info@topline.to

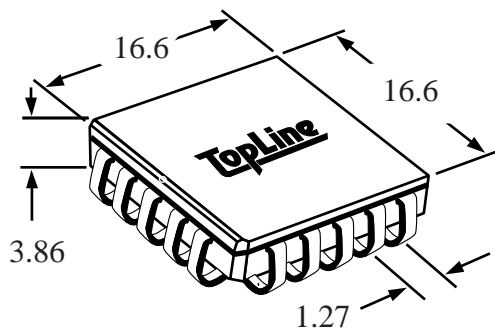


Top View

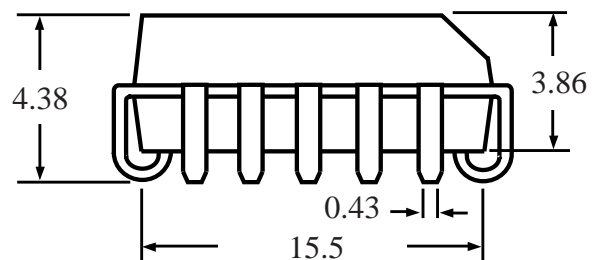


PC Board

Dimensions = mm



Quick View



Side View Detail

Part # **PLCC52**

Leads **52** Pitch **1.27mm (50mils)**

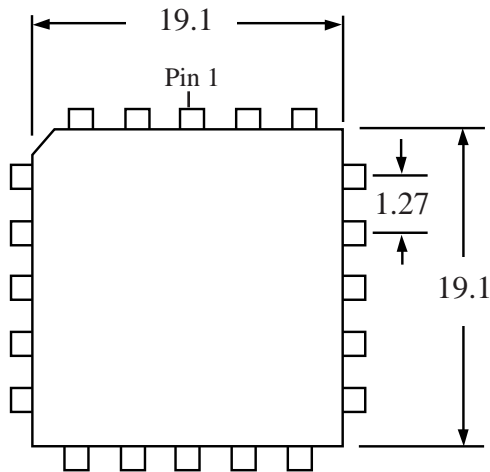
Body Size **19.1mm (.75" SQ)**

Dwg **PLCC52.pdf**

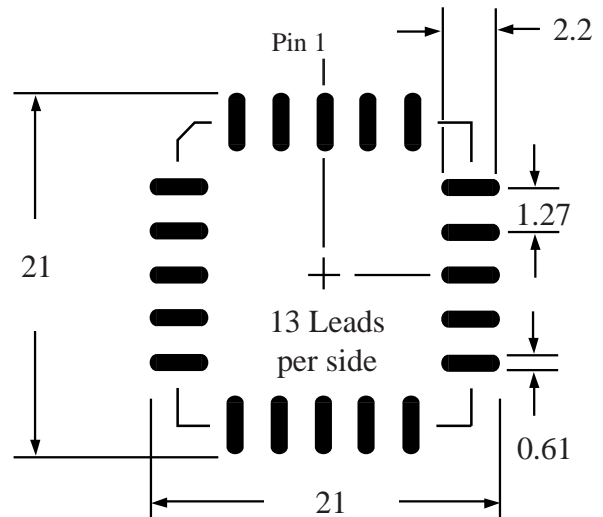
TopLineTM

Tel 1-714-898-3830

info@topline.to

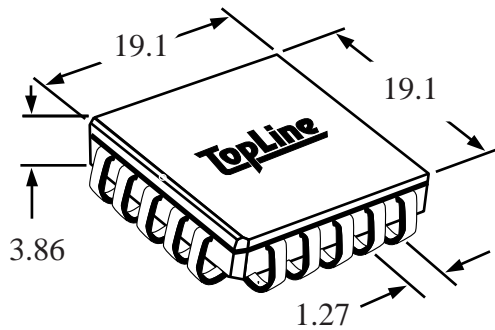


Top View

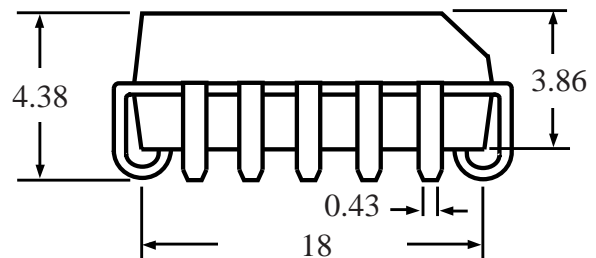


PC Board

Dimensions = mm



Quick View



Side View Detail

Part # **PLCC68**

Leads **68** Pitch **1.27mm (50mils)**

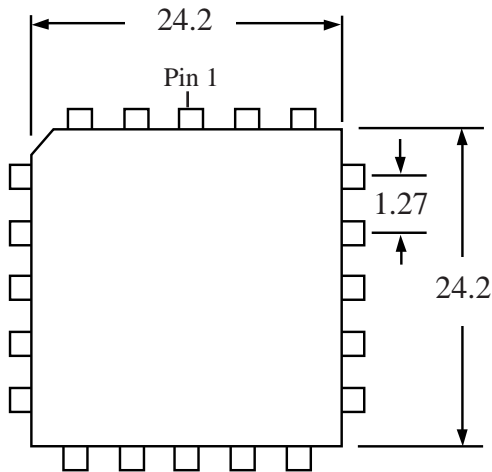
Body Size **24.2mm (.95" SQ)**

Dwg **PLCC68.pdf**

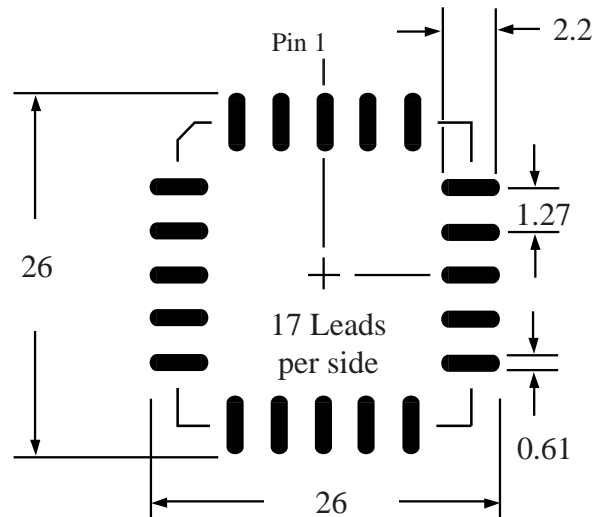
TopLineTM

Tel 1-714-898-3830

info@topline.to

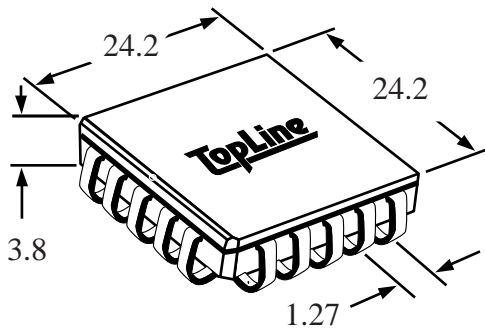


Top View

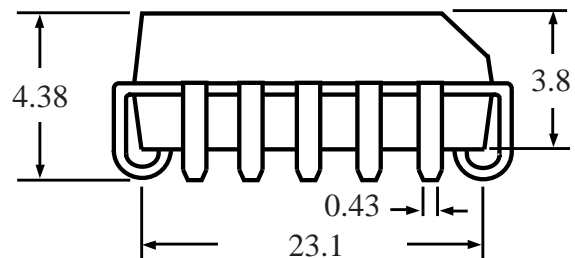


PC Board

Dimensions = mm



Quick View



Side View Detail

Part # **PLCC84**

Leads **84** Pitch **1.27mm (50mils)**

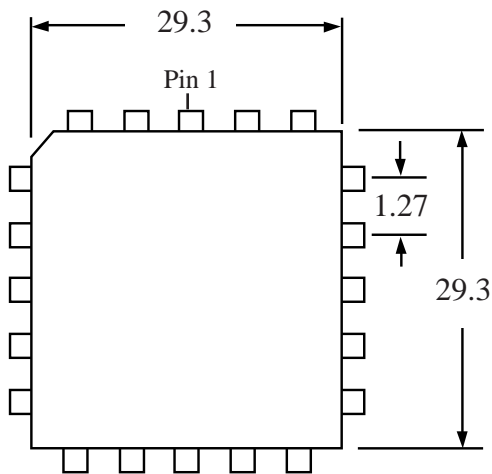
Body Size **29.3mm (.95" SQ)**

Dwg **PLCC84.pdf**

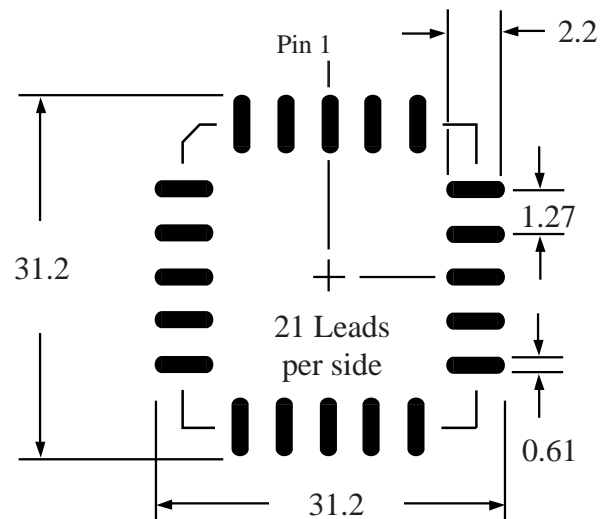
TopLineTM

Tel 1-714-898-3830

info@topline.to

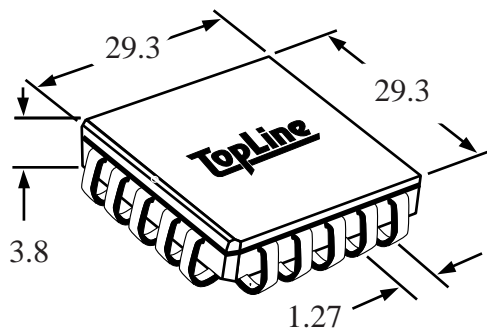


Top View

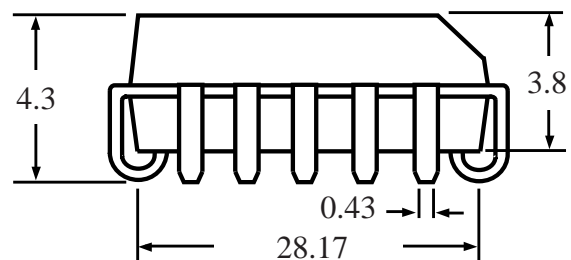


PC Board

Dimensions = mm



Quick View



Side View Detail