

Part # SM1 - LL41 (DO-213AB)

MELF Diode - Glass

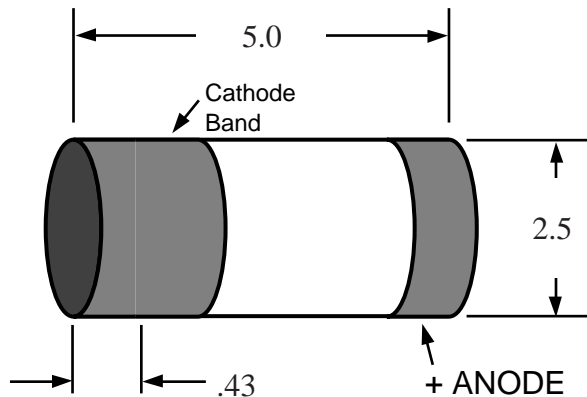
Body Size 2.5 x 5mm

Dwg LL41.pdf

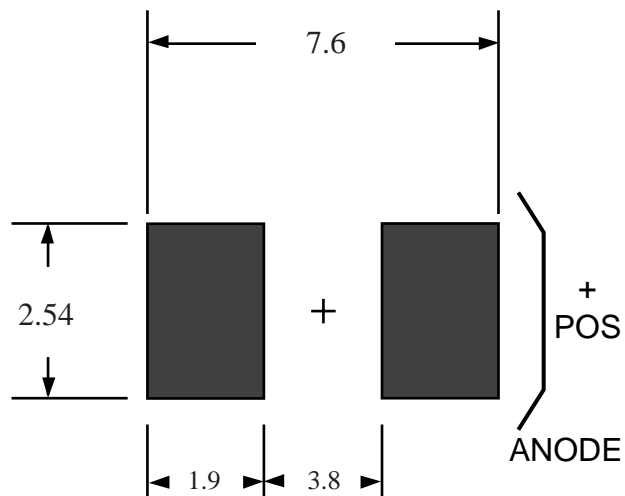
TopLineTM

Tel 1-714-898-3830

info@topline.tv

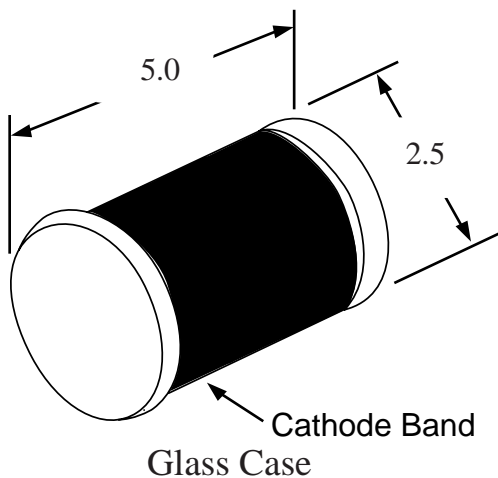


Top View

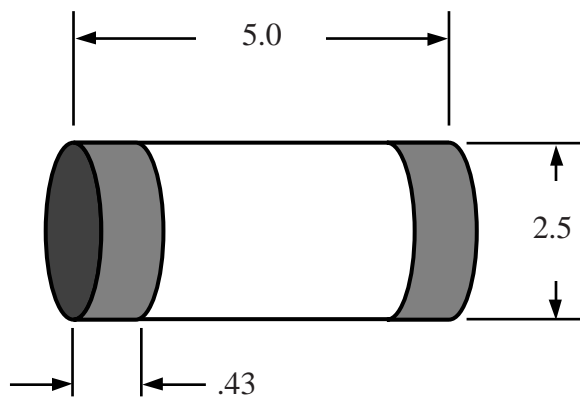


PC Board

Dimension = mm



Quick View



Side View Detail