

Part # SOD80 (DO213AA)

mini-MELF Diode

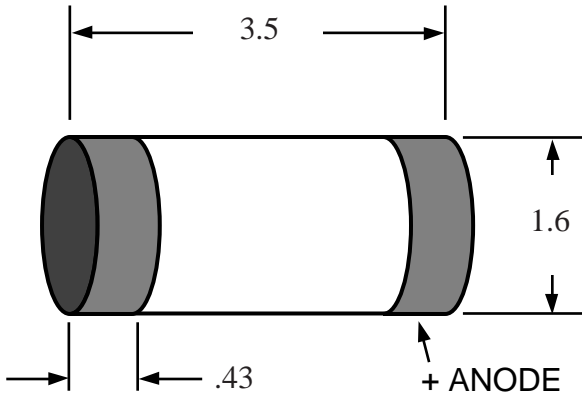
Body Size 1.6 x 3.5mm

Dwg SOD80.pdf

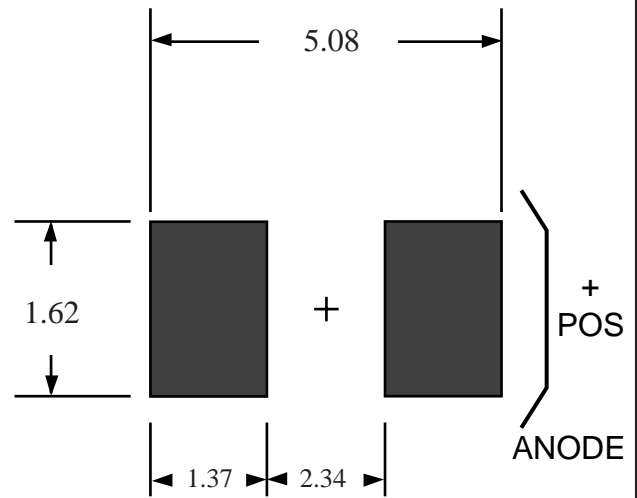
**TopLine**<sup>TM</sup>

Tel 1-714-898-3830

info@topline.to

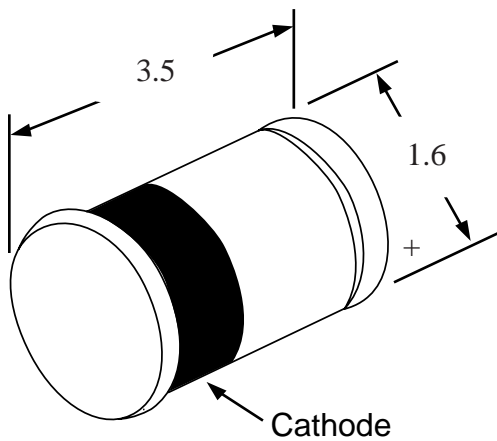


Top View



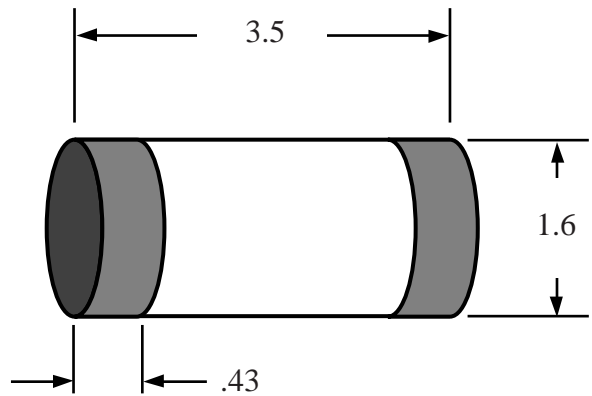
PC Board

Dimension = mm



Glass Case

Quick View



Side View Detail