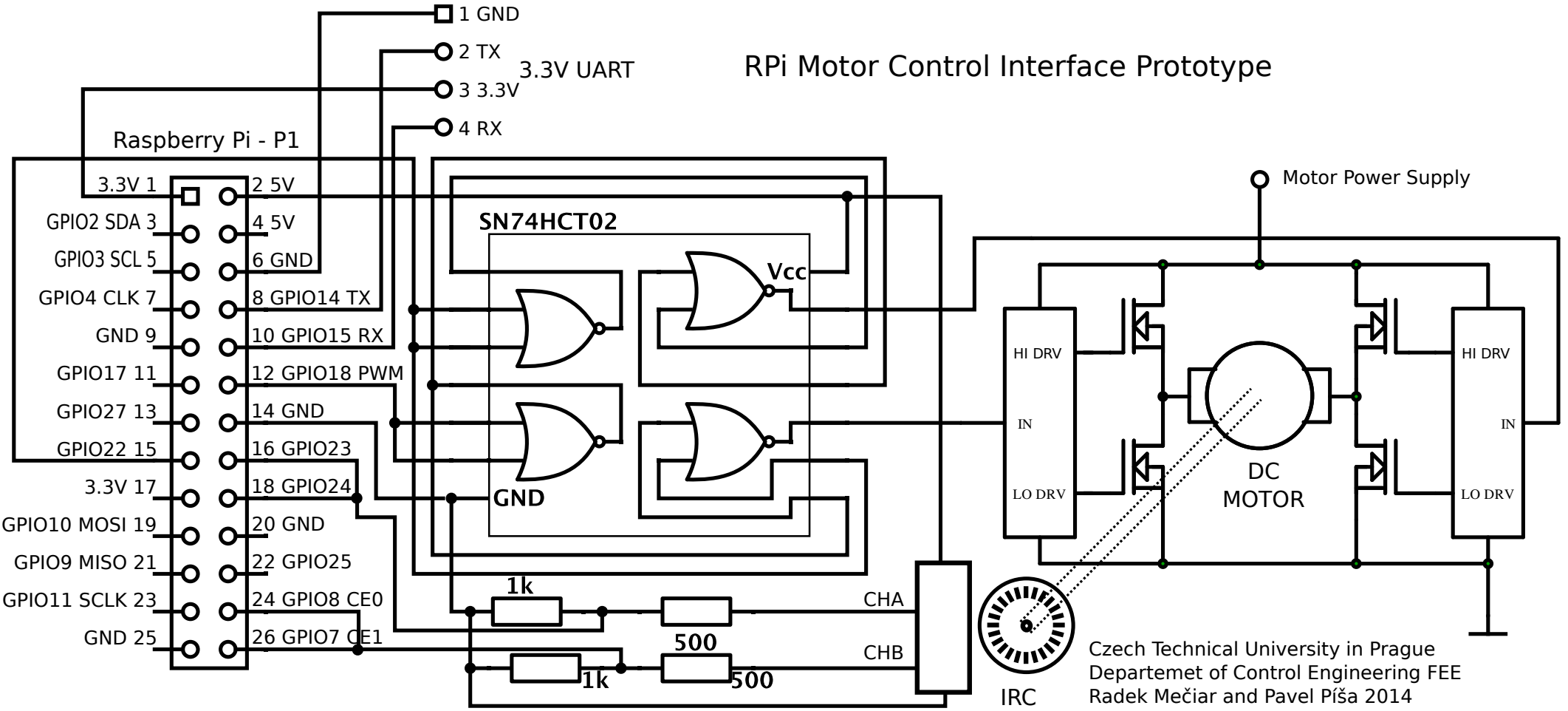


RPi Motor Control Interface Prototype



Czech Technical University in Prague
Departemet of Control Engineering FEE
Radek Mečiar and Pavel Píša 2014